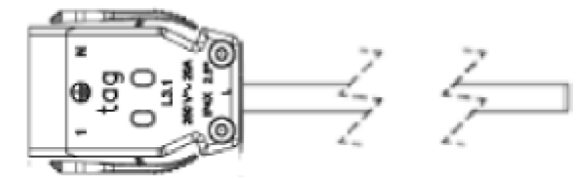
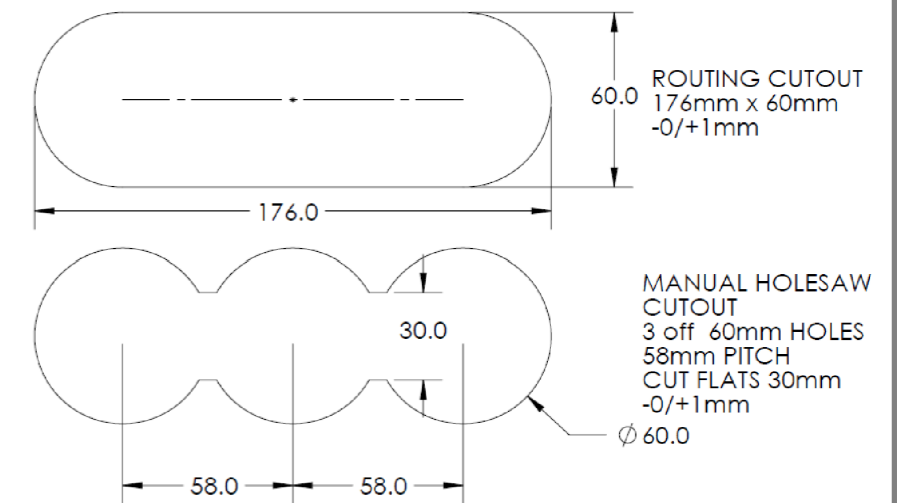
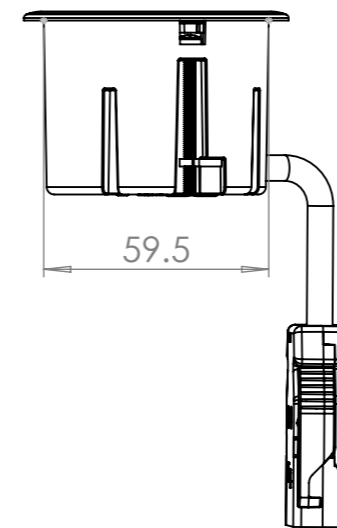
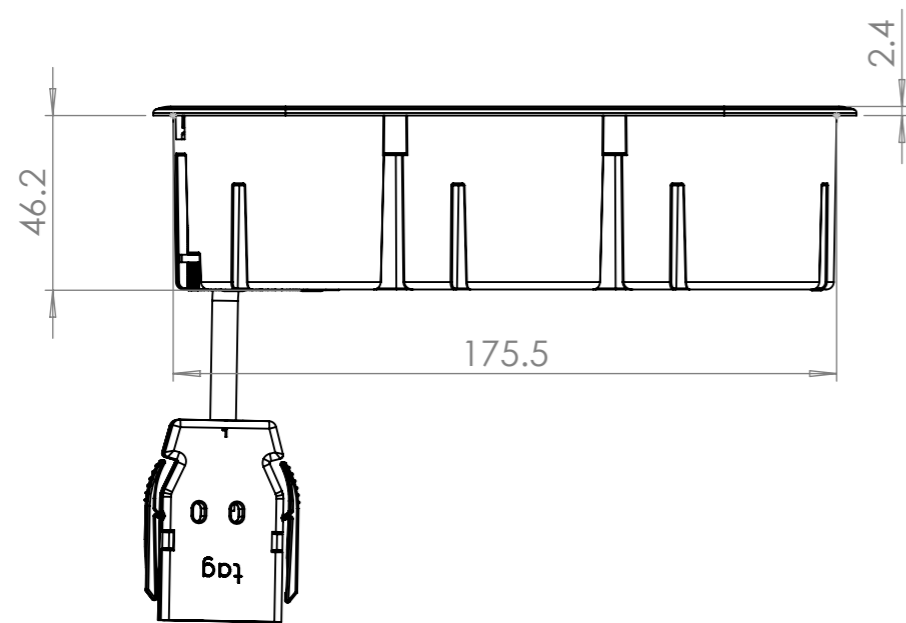
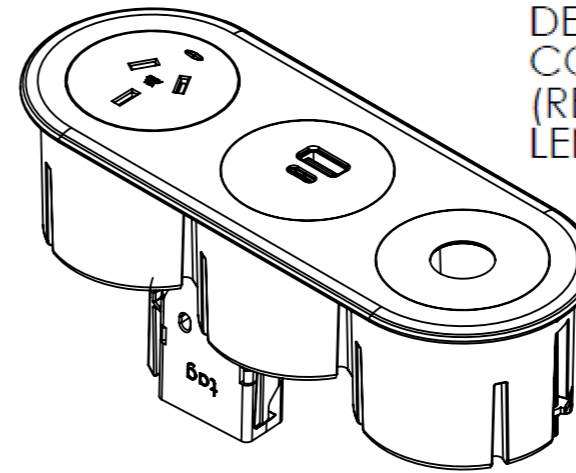
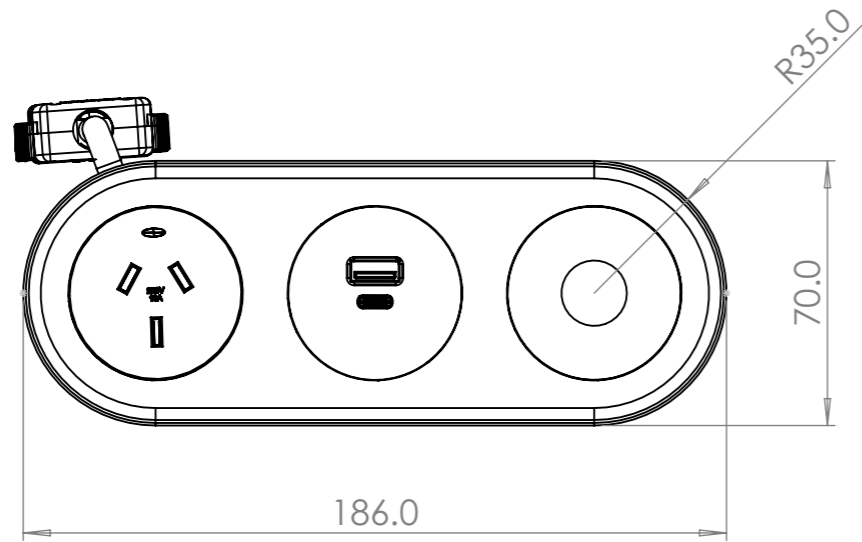


NOTE:



CABLE TYPE: 3 CORE x 2.5mm<sup>2</sup>  
 DESCRIPTION: TAG CONNECTOR LEAD  
 COLOUR: WHITE OR BLACK  
 (REFER TO PURCHASE ORDER)  
 LENGTH (mm):


xx	LENGTH (mm)
05	500
10	1000
15	1500
20	2000
25	2500
30	3000
35	3500
40	4000
45	4500
50	5000



**PART NUMBER:** xxXX  
 NOTE - xx - LENGTH - 05 / 10 / 15 / 20 / 25 / 30 / 35 / 40 / 45 / 50  
 XX - COLOUR - WT / BK / (BK/BK) / (WT/WT) / (WT/WM)

REV	DESCRIPTION	DATE	DRWN	APPV
3	ADDED EARTH WIRE TO USB CHARGER	26/10/2023	GC	AP
2	CHANGED TOLERANCE FROM 2mm to 1mm	2/05/2023	GC	AP
1	RELEASED FOR PRODUCTION	11/5/2021	JB	RG
REVISIONS				

<b>CUSTOMER SIGNATURE:</b>	<b>TOLERANCES UNLESS OTHERWISE STATED:</b>  X ±0.5 X.X ±0.2 X.XX ±0.1 X.XXX ±0.05 ANG ±0.5°	
<b>MATERIAL:</b>		PC FR
<b>FINISH:</b>		FINE EDM / POLISHED
<b>COLOUR:</b>		WHITE OR BLACK
THIS DRAWING & ASSOCIATED CAD FILES ARE ISSUED IN THE STRICTEST CONFIDENCE AND ARE ONLY TO BE USED IN THE COMMERCIAL INTERESTS OF CMS ELECTRACOM PTY LTD		DRAWN IN mm TO AS1100 DO NOT SCALE


**CMS Electracom** COPYRIGHT © 2020

**TITLE:**  
 ECHO TRIO WITH 1 GPO + USB AC + RGB

**DRAWING:** LU38175      **REV:** 3      **A3**

SCALE 1:5      SHEET 1 OF 2