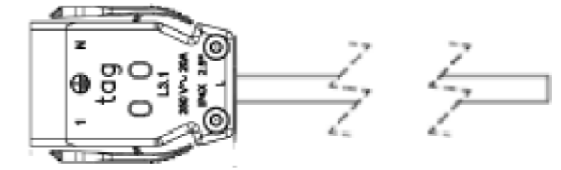
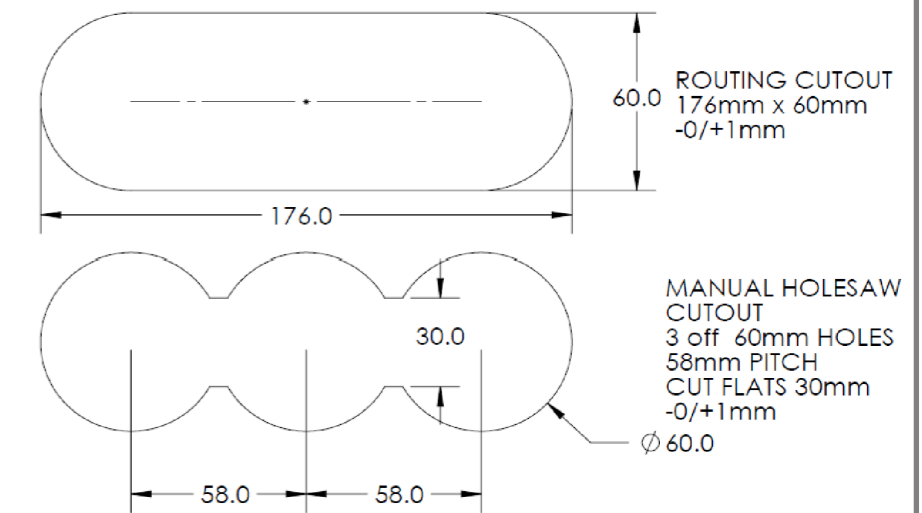
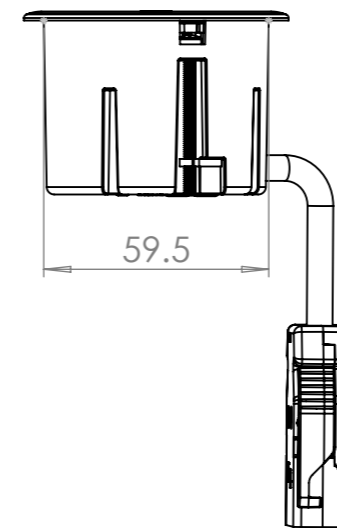
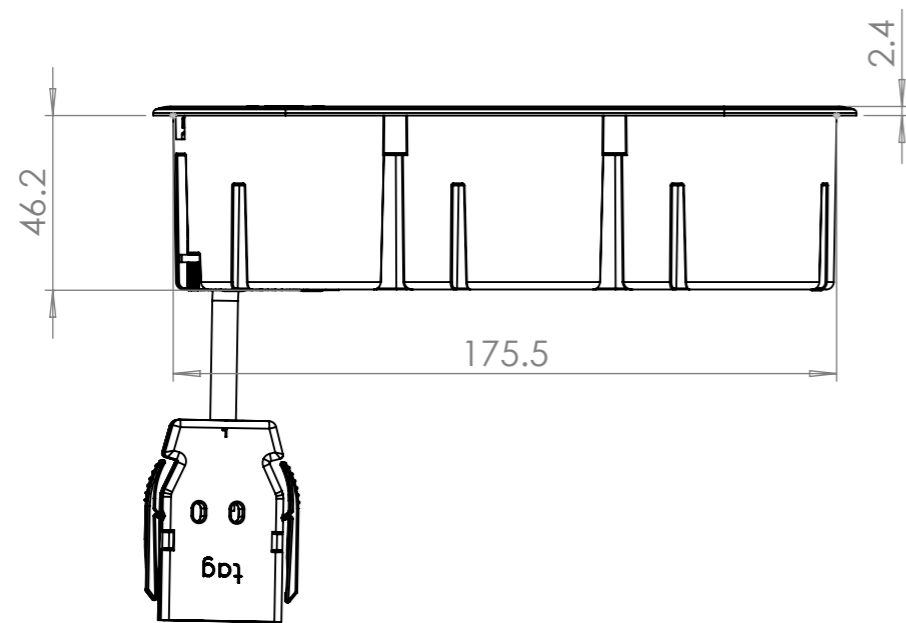
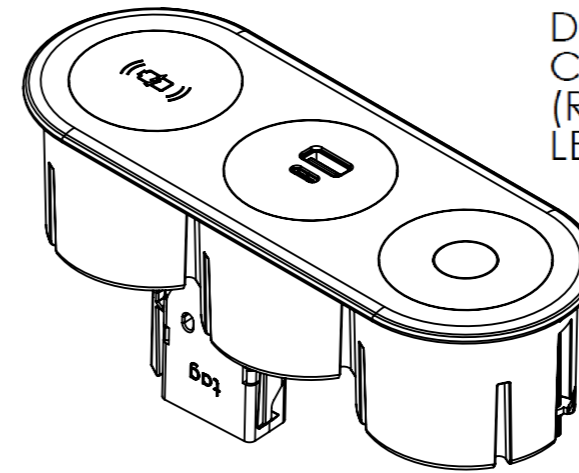
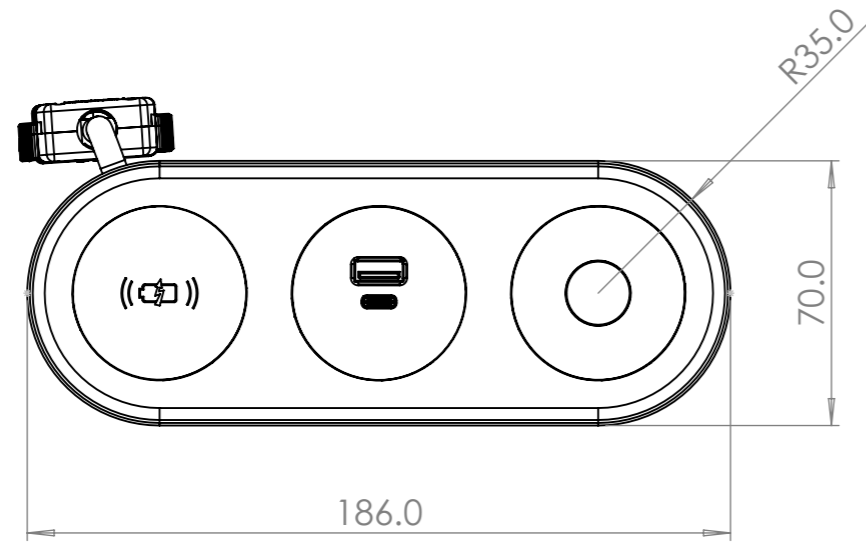


NOTE:



CABLE TYPE: 3 CORE x1.0mm²
 DESCRIPTION: TAG CONNECTOR LEAD
 COLOUR: WHITE OR BLACK
 (REFER TO PURCHASE ORDER)
 LENGTH (mm):

xx	LENGTH (mm)
05	500
10	1000
15	1500
20	2000
25	2500
30	3000
35	3500
40	4000
45	4500
50	5000



PART NUMBER: xxXX
 NOTE - xx - LENGTH - 05 / 10 / 15 / 20 / 25 / 30 / 35 / 40 / 45 / 50
 XX - COLOUR - WT / BK

REV	DESCRIPTION	DATE	DRWN	APPV
4	ADDED EARTH WIRE TO USB CHARGER	19/10/2023	GC	AP
3	CHANGED CABLE FROM 2.5mm TO 1.0mm	31/05/2023	GC	JB
2	CHANGED TOLERANCE FROM 2mm TO 1mm	2/05/2023	GC	AP
1	RELEASED FOR PRODUCTION	8/10/2021	JB	RG
REVISIONS				

CUSTOMER SIGNATURE:	TOLERANCES UNLESS OTHERWISE STATED:
MATERIAL: PC FR	X ±0.5 X.X ±0.2 X.XX ±0.1 X.XXX ±0.05 ANG ±0.5°
FINISH: FINE EDM / POLISHED	
COLOUR: WHITE OR BLACK	
THIS DRAWING & ASSOCIATED CAD FILES ARE ISSUED IN THE STRICTEST CONFIDENCE AND ARE ONLY TO BE USED IN THE COMMERCIAL INTERESTS OF CMS ELECTRACOM PTY LTD	
DRAWN IN mm TO AS1100 DO NOT SCALE	

CMS Electracom COPYRIGHT © 2020

TITLE: ECHO TRIO WITH WIRELESS CHARGER+USB AC+RGB

DRAWING: LU43302 **REV:** 4 **A3**

SCALE 1:5 SHEET 1 OF 2