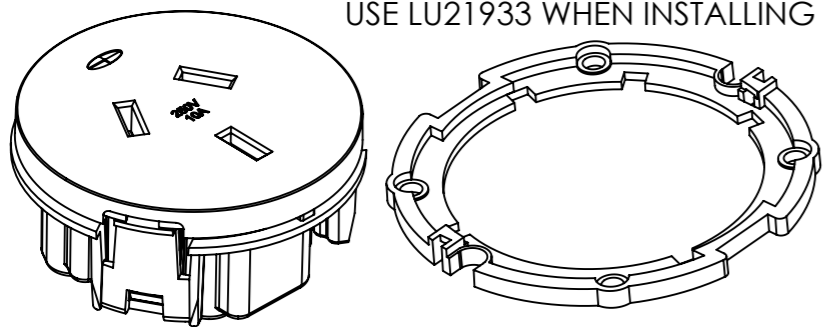
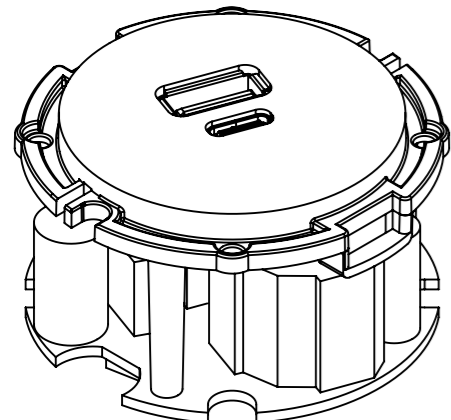


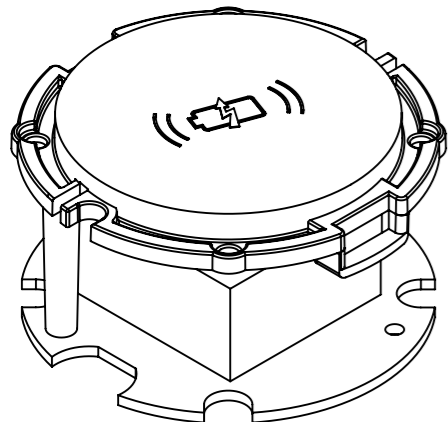
USE LU21933 WHEN INSTALLING GPO



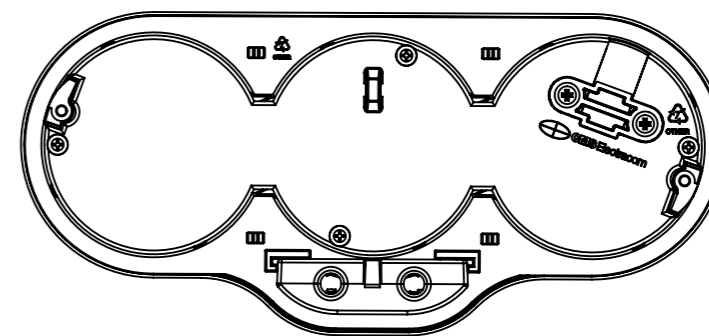
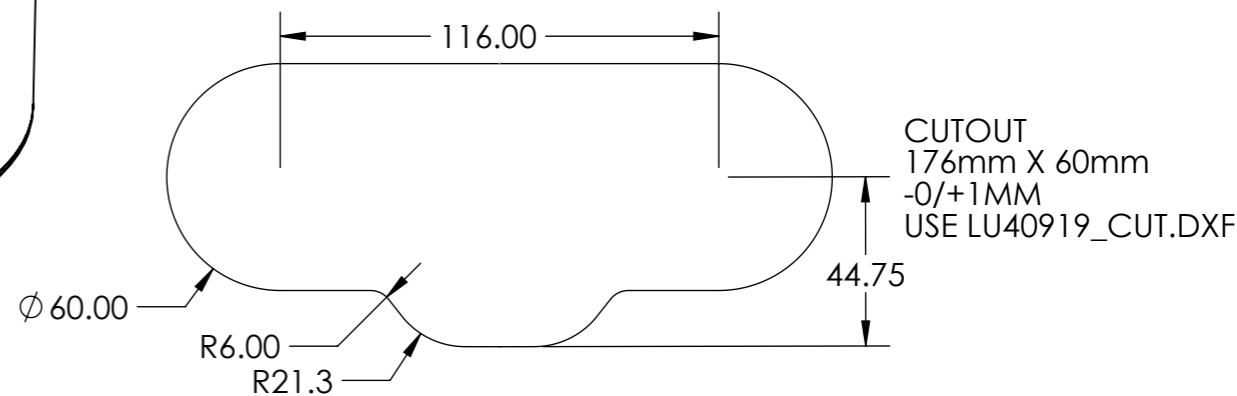
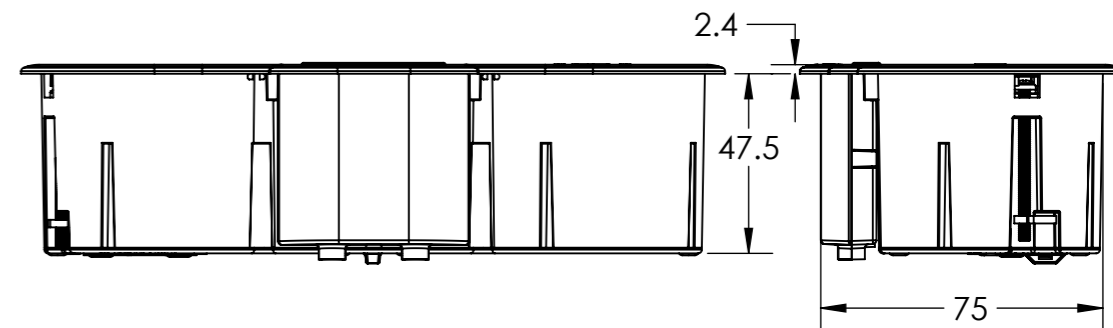
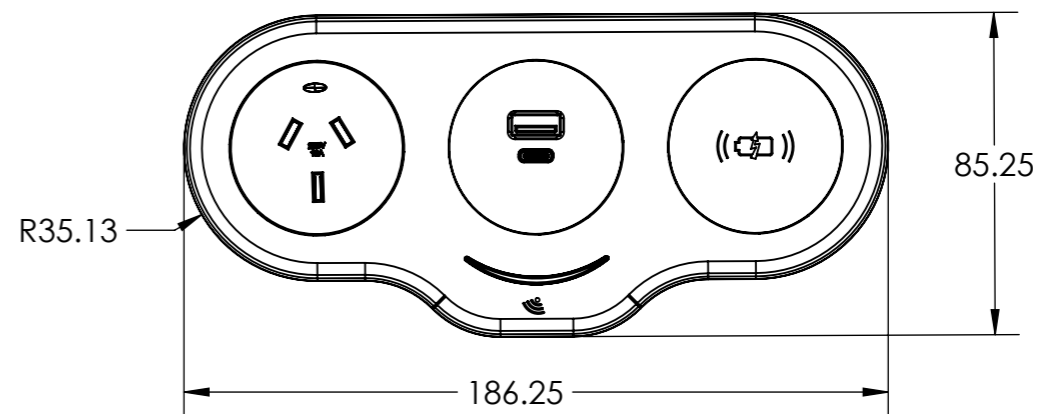
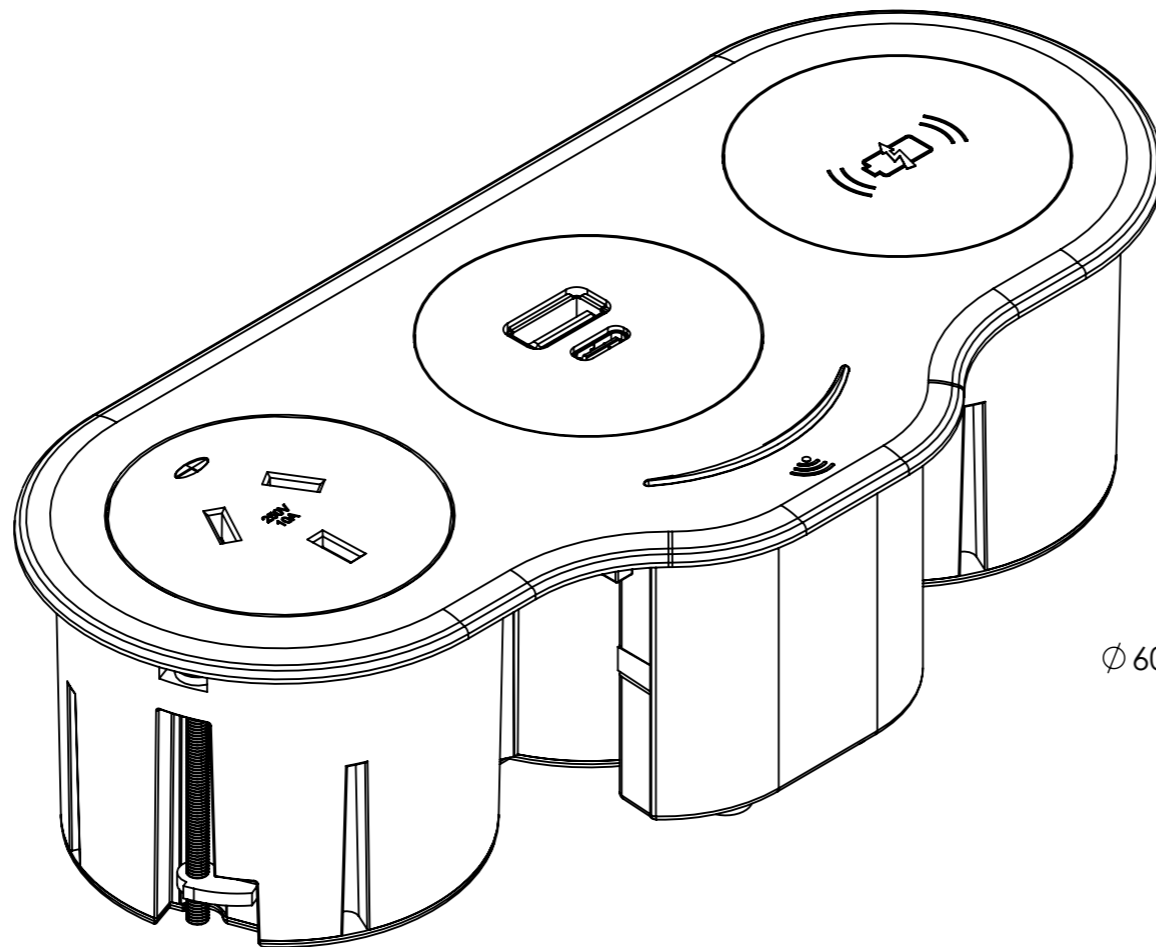
AU/NZ SOCKET OUTLET = AU



USB AC MODULE = U




WIRELESS CHARGING MODULE = W



REV	DESCRIPTION	DATE	DRWN	APPV
3	LABEL UPDATED	20/3/2024	JB	RG
2	ADDED EARTH WIRE TO USB CHARGER	26/10/2023	GC	AP
1	RELEASED FOR PRODUCTION	30/5/23	AP	RG
REVISIONS				

<b>CUSTOMER SIGNATURE:</b>
<b>MATERIAL:</b> P.C FR
<b>FINISH:</b> TEXTURED
<b>COLOUR:</b> WHITE OR BLACK
THIS DRAWING & ASSOCIATED CAD FILES ARE ISSUED IN THE STRICTEST CONFIDENCE AND ARE ONLY TO BE USED IN THE COMMERCIAL INTERESTS OF CMS ELECTRACOM PTY LTD

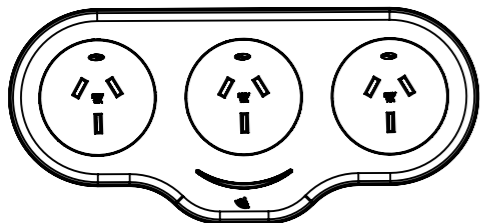
<b>TOLERANCES UNLESS OTHERWISE STATED:</b> X ±0.5 X.X ±0.2 X.XX ±0.1 X.XXX ±0.05 ANG ±0.5°
DRAWN IN mm TO AS1100 DO NOT SCALE

 **CMS Electracom** COPYRIGHT © 2015

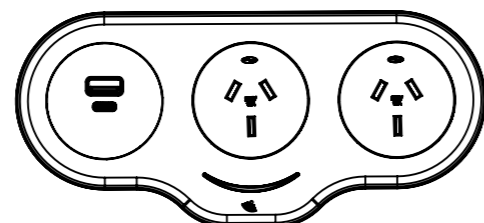
**TITLE:**  
AU ECHO ENGAGE

**DRAWING:** LU40919 **REV:** 3 **A3**

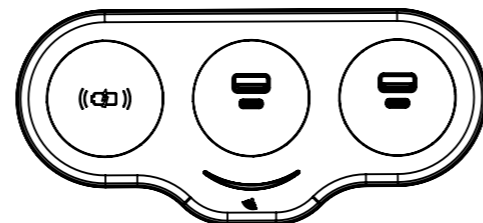
SCALE 1:2 SHEET 1 OF 4



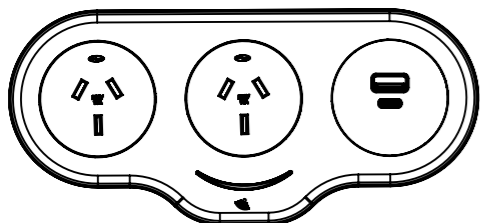
EQA1A1A1XXXDXX



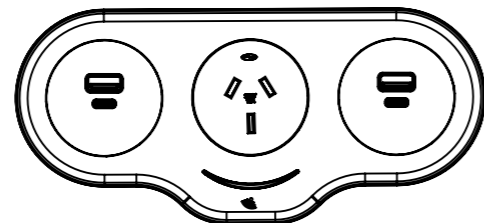
EQUA1A1XXXDXX



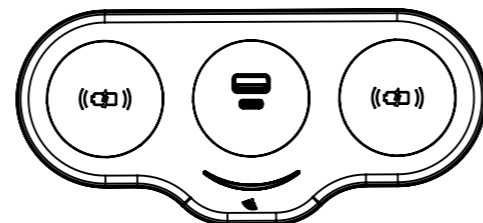
EQWUJXXXDXX



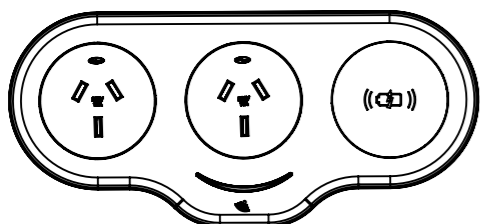
EQA1A1UXXXDXX



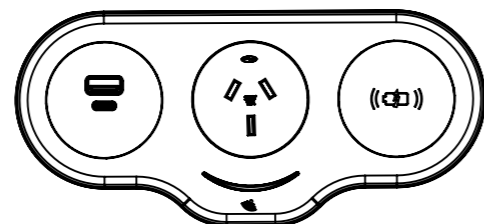
EQUA1UXXXDXX



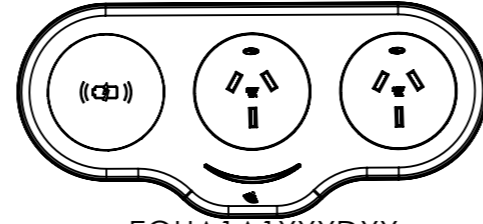
EQWUWXXXDXX



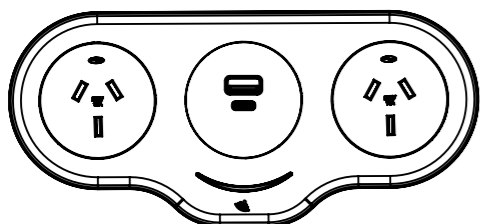
EQA1A1WXXXDXX



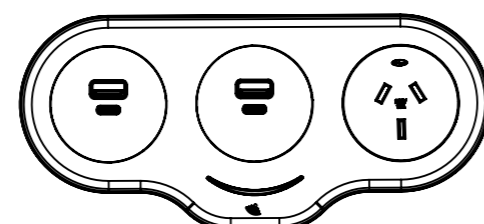
EQUA1WXXXDXX



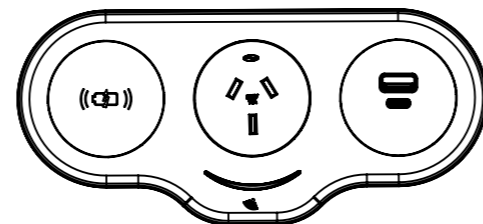
EQUA1A1XXXDXX



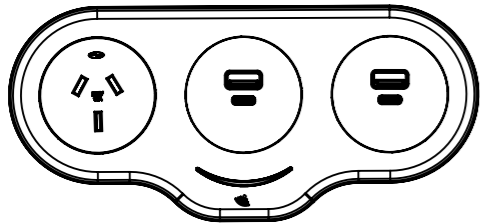
EQA1UA1XXXDXX



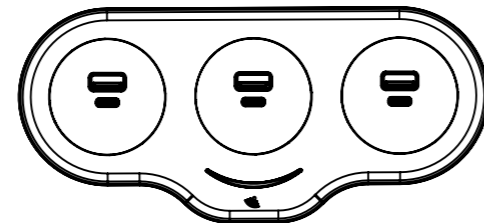
EQUUA1XXXDXX



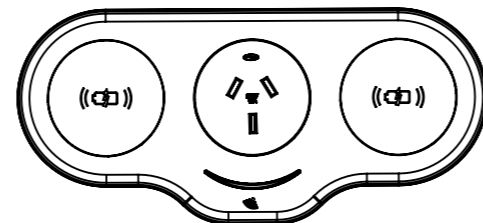
EQWUA1XXXDXX



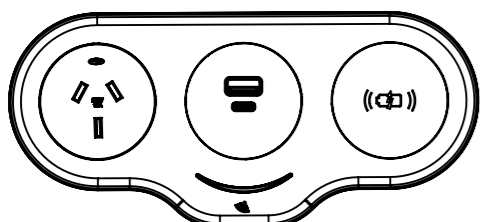
EQA1UJXXXDXX



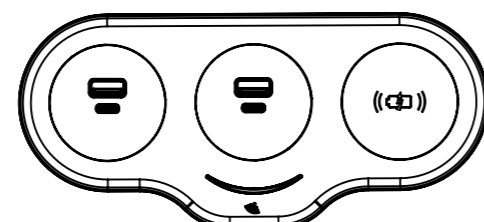
EQUUJXXXDXX



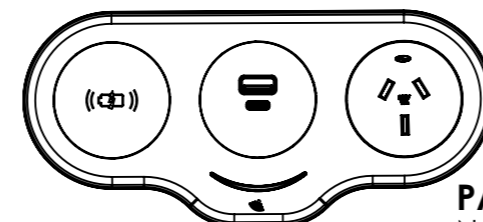
EQWUWXXXDXX



EQA1UWXXXDXX

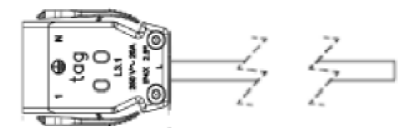


EQUUWXXXDXX



EQWUA1XXXDXX

NOTE:



CABLE TYPE: 2.5MM  
DESCRIPTION: TAG CONNECTOR LEAD  
COLOUR: WHITE OR BLACK  
(REFER TO PURCHASE ORDER)  
LENGTH (mm):

xx	LENGTH (mm)
05	500
10	1000
15	1500
20	2000
25	2500
30	3000
35	3500
40	4000
45	4500
50	5000

NOTE:



CABLE TYPE: 1MM  
DESCRIPTION: AUSTRALIAN PLUG LEAD  
WITH THERMAL OVERLOAD  
COLOUR: WHITE OR BLACK  
(REFER TO PURCHASE ORDER)  
LENGTH (mm):


xx	LENGTH (mm)
05	500
10	1000
15	1500
20	2000
25	2500
30	3000
35	3500
40	4000
45	4500
50	5000

**PART NUMBER: EQA1A1A1XxxDXX**

NOTE - X - LEAD TYPE (TAG OR 3PIN PLUG)

xx - LENGTH - 05 / 10 / 15 / 20 / 25 / 30 / 35 / 40 / 45 / 50

XX - COLOUR - WT / BK / (BK/BK) / (WT/WT) / (WT/WM)

<b>CUSTOMER SIGNATURE:</b>	<b>TOLERANCES UNLESS OTHERWISE STATED:</b>  X ±0.5 X.X ±0.2 X.XX ±0.1 X.XXX ±0.05 ANG ±0.5°	 <b>CMS Electracom</b> <small>COPYRIGHT © 2015</small>	
<b>MATERIAL:</b>			
<b>FINISH:</b>		<b>DRAWING:</b>	<b>REV:</b>
<b>COLOUR:</b>		P.C FR  TEXTURED  WHITE OR BLACK  <small>THIS DRAWING &amp; ASSOCIATED CAD FILES ARE ISSUED IN THE STRICTEST CONFIDENCE AND ARE ONLY TO BE USED IN THE COMMERCIAL INTERESTS OF CMS ELECTRACOM PTY LTD</small>	LU40919  SCALE 1:2

DRAWN IN mm TO AS1100 DO NOT SCALE



A3