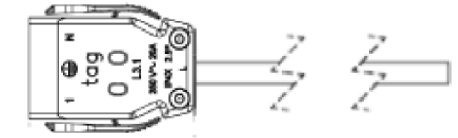
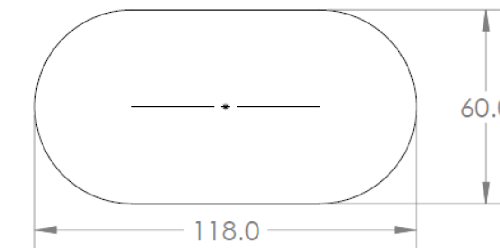
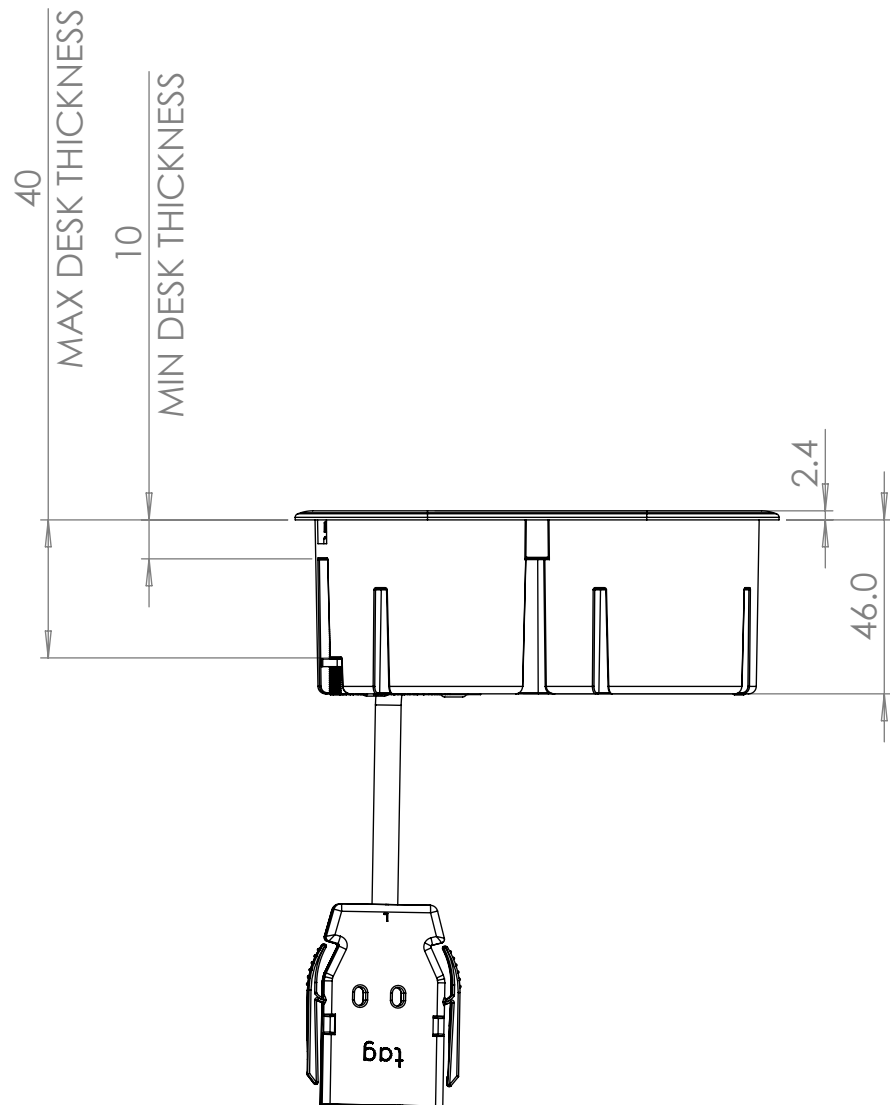
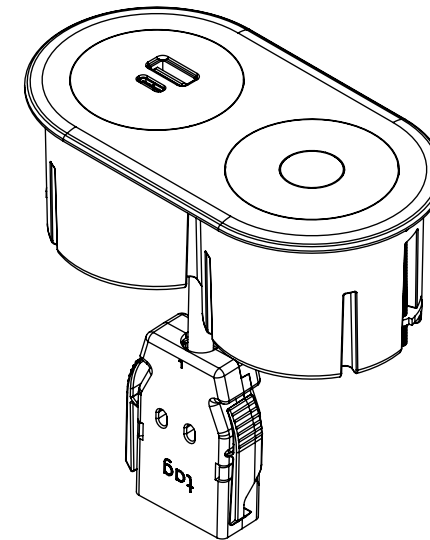
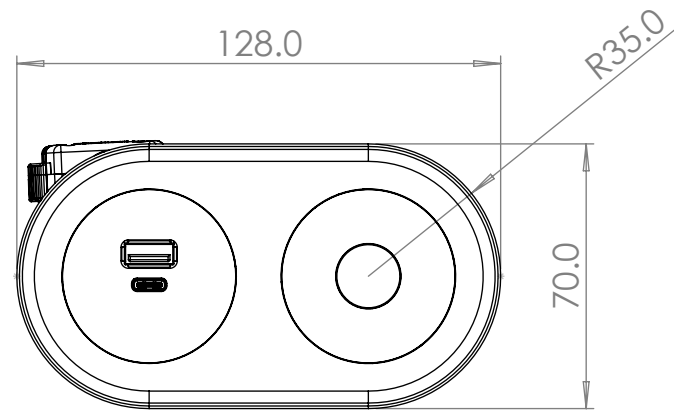


NOTE:

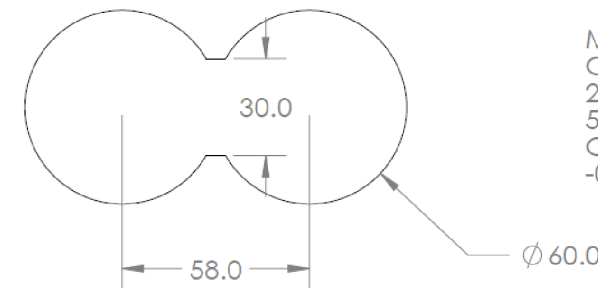


CABLE TYPE: 3 CORE x 2.5mm<sup>2</sup>  
 DESCRIPTION: TAG CONNECTOR LEAD  
 COLOUR: WHITE OR BLACK  
 (REFER TO PURCHASE ORDER)

xx	LENGTH (mm)
05	500
10	1000
15	1500
20	2000
25	2500
30	3000
35	3500
40	4000
45	4500
50	5000



ROUTING CUTOUT  
 118mm x 60mm  
 -0/+1mm



MANUAL HOLESAW CUTOUT  
 2 off 60mm HOLES  
 58mm PITCH  
 CUT FLATS 30mm  
 -0/+1mm

**PART NUMBER:** xxXX

NOTE - xx - LENGTH - 05 / 10 / 15 / 20 / 25 / 30 / 35 / 40 / 45 / 50  
 XX - COLOUR - WT / BK

<b>CUSTOMER SIGNATURE:</b>	<b>TOLERANCES UNLESS OTHERWISE STATED:</b>  X ±0.5 X.X ±0.2 X.XX ±0.1 X.XXX ±0.05 ANG ±0.5°
<b>MATERIAL:</b> M.S / P.C	
<b>FINISH:</b> REER P/O	
<b>COLOUR:</b> REFER P/O	
THIS DRAWING & ASSOCIATED CAD FILES ARE ISSUED IN THE STRICTEST CONFIDENCE AND ARE ONLY TO BE USED IN THE COMMERCIAL INTERESTS OF CMS ELECTRACOM PTY LTD	
DRAWN IN mm TO AS1100 DO NOT SCALE	



**TITLE:**  
 AU MULTI ECHO WITH 30W USB AC + RGB

**DRAWING:** LU39951  
**REV:** 3  
**A3**

SCALE 1:5

SHEET 1 OF 2

REV	DESCRIPTION	DATE	DRWN	APPV
3	CHANGED TOLERANCE FROM 2mm TO 1mm	3/05/2023	GC	AP
2	RELEASED FOR PRODUCTION	4/3/2022	JB	RG
1	RELEASED FOR QUOTATION - NOT FOR PRODUCTION	25/2/2022	JB	RG
REVISIONS				